

Ultra Line



HALF VISION SHOWN HERE

ULTRA LINE FEATURES:

- LED Lighting available in:
 - 3000K Yellow
 - 6000K White
- Aluminum frame
- Matte white exterior
- Glass sliding doors with lock
- Glass sides
- Rear storage area with lock available on half and quarter vision showcases only
- Available in 4', 5', and 6' lengths and corner cases
- Available in full, half, and quarter vision
- 41½" high and 20" deep
- Showcases and corner cases are available in full vision, half vision and quarter vision

SIZE	QUANTITY			3000K	6000K	ADVANCED PRICE	PRICE FOR ORDERS RECEIVED AFTER 02/14/2025	SHOW SITE PRICE	TOTAL
	FULL VISION	HALF VISION	QUARTER VISION						
4 FOOT						\$555.00	\$630.00	\$755.00	
5 FOOT						\$555.00	\$630.00	\$755.00	
6 FOOT						\$555.00	\$630.00	\$755.00	
34" CORNER						\$575.00	\$650.00	\$770.00	
48" CORNER						\$595.00	\$670.00	\$795.00	



SUBTOTAL \$ _____

8.875% SALES TAX \$ _____

AMOUNT ENCLOSED \$ _____

COMPANY NAME _____

BOOTH NUMBER _____

ORDERS AND BOOTH LAYOUT DUE BY FEBRUARY 14, 2025

American Fixture & Display Corp.

Phone: (718) 463-2176 • Fax: (718) 463-4302

Email: orders@americanfixture.com • Web: americanfixture.com

Please complete company name, credit card information and booth layout located on the final pages. This is required to process your order.

Please note: Telephone orders not accepted.

CASES ARE RENTED FOR DISPLAY PURPOSES ONLY AND WE DO NOT WARRANT THE SAFETY OR SECURITY THEREOF. WE ARE NOT LIABLE FOR CONTENTS, DAMAGE OR BREAKAGE AFTER CASES HAVE BEEN DELIVERED.

Designer Line



DESIGNER LINE FEATURES:

- Fluorescent lighting
- Halogen Lighting available for an additional \$50 per showcase
- LED Lighting available for an additional \$85 per showcase
- Aluminum frame
- Textured gray formica exterior
- Mirrored sliding doors with lock
- Glass sides
- Rear storage area with lock in half and quarter vision only
- Available in 4', 5' and 6' lengths and corner cases
- 39" high and 20" deep
- Showcases are available in full, half and quarter vision
- Corner cases are available in half and quarter vision only

SIZE	QUANTITY			ADVANCED PRICE	PRICE FOR ORDERS RECEIVED AFTER 02/14/2025	SHOW SITE PRICE	TOTAL
	FULL VISION	HALF VISION	QUARTER VISION				
4 FOOT				\$435.00	\$510.00	\$635.00	
5 FOOT				\$435.00	\$510.00	\$635.00	
6 FOOT				\$435.00	\$510.00	\$635.00	
34" CORNER	X			\$450.00	\$525.00	\$650.00	
42" CORNER	X	X		\$470.00	\$545.00	\$670.00	

Add \$50.00 per showcase for Halogen lighting \$ _____

Add \$85.00 per showcase for LED lighting \$ _____

SUBTOTAL \$ _____

8.875% SALES TAX \$ _____

AMOUNT ENCLOSED \$ _____

COMPANY NAME _____

BOOTH NUMBER _____



ORDERS AND BOOTH LAYOUT DUE BY FEBRUARY 14, 2025

American Fixture & Display Corp.

Phone: (718) 463-2176 • Fax: (718) 463-4302

Email: orders@americanfixture.com • Web: americanfixture.com

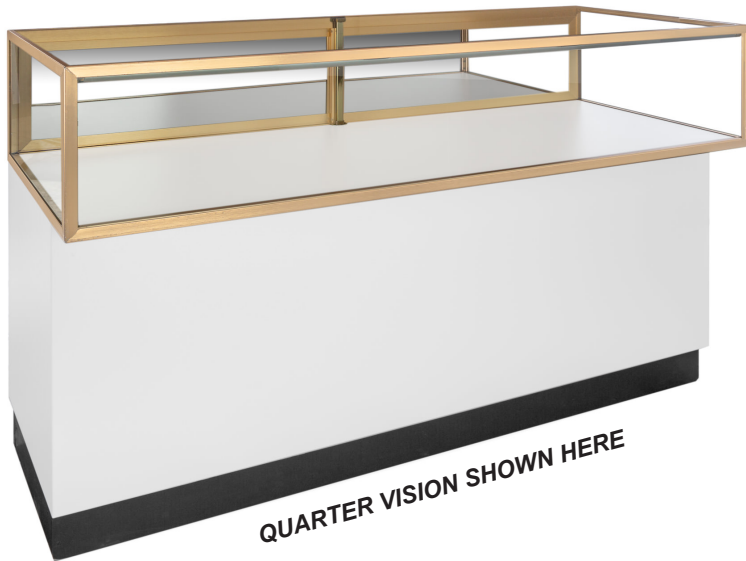
Please complete company name, credit card information and booth layout located on the final pages. This is required to process your order.

Please note: Telephone orders not accepted.

CASES ARE RENTED FOR DISPLAY PURPOSES ONLY AND WE DO NOT WARRANT THE SAFETY OR SECURITY THEREOF. WE ARE NOT LIABLE FOR CONTENTS, DAMAGE OR BREAKAGE AFTER CASES HAVE BEEN DELIVERED.

White Deluxe Line

DELUXE LINE FEATURES:



- Fluorescent lighting
- LED Lighting available for an additional \$85 per showcase
- Brushed gold frame
- White exterior
- Mirrored sliding doors with lock
- Glass sides
- Rear storage area with lock
- Available in 4', 5' and 6' lengths and corner cases
- 38" high and 20" deep
- Showcases and corner cases are available in half vision and quarter vision only

SIZE	QUANTITY		ADVANCED PRICE	PRICE FOR ORDERS RECEIVED AFTER 02/14/2025	SHOW SITE PRICE	TOTAL
	HALF VISION	QUARTER VISION				
4 FOOT			\$455.00	\$530.00	\$655.00	
5 FOOT			\$455.00	\$530.00	\$655.00	
6 FOOT			\$455.00	\$530.00	\$655.00	
34" CORNER			\$485.00	\$560.00	\$685.00	

Add \$85.00 per showcase for LED lighting \$ _____

SUBTOTAL \$ _____

8.875% SALES TAX \$ _____

AMOUNT ENCLOSED \$ _____

COMPANY NAME _____

BOOTH NUMBER _____

**ONLINE ORDERING
AVAILABLE
VISIT AMERICANFIXTURE.COM**

ORDERS AND BOOTH LAYOUT DUE BY FEBRUARY 14, 2025

American Fixture & Display Corp.

Phone: (718) 463-2176 • Fax: (718) 463-4302

Email: orders@americanfixture.com • Web: americanfixture.com

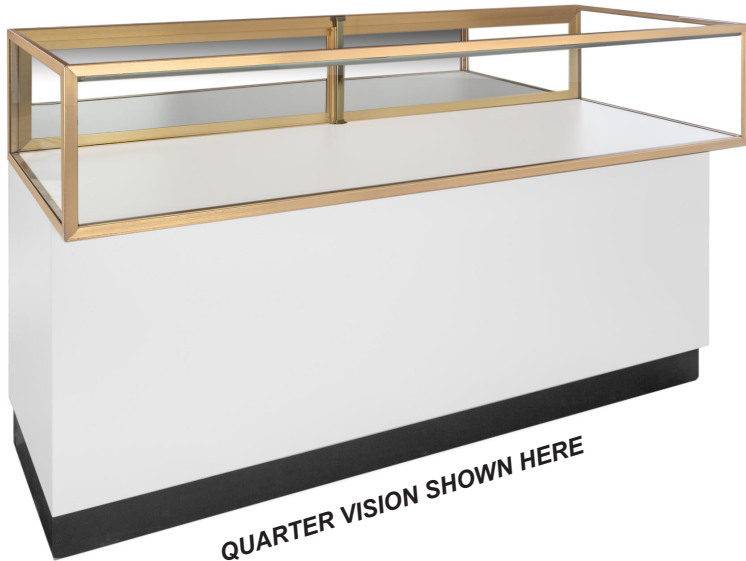
Please complete company name, credit card information and booth layout located on the final pages. This is required to process your order.

Please note: Telephone orders not accepted.

CASES ARE RENTED FOR DISPLAY PURPOSES ONLY AND WE DO NOT WARRANT THE SAFETY OR SECURITY THEREOF. WE ARE NOT LIABLE FOR CONTENTS, DAMAGE OR BREAKAGE AFTER CASES HAVE BEEN DELIVERED.

White Elite Line

ELITE LINE FEATURES:



- Halogen lighting
- LED lighting available for an additional \$60 per showcase
- Brushed gold frame
- White exterior
- Mirrored sliding doors with lock
- Glass sides
- Rear storage area with lock
- Available in 4', 5' and 6' lengths and corner cases
- 39" high and 20" deep
- Showcases and corner cases are available in half vision and quarter vision only

SIZE	QUANTITY		ADVANCED PRICE	PRICE FOR ORDERS RECEIVED AFTER 02/14/2025	SHOW SITE PRICE	TOTAL
	HALF VISION	QUARTER VISION				
4 FOOT			\$490.00	\$565.00	\$690.00	
5 FOOT			\$490.00	\$565.00	\$690.00	
6 FOOT			\$490.00	\$565.00	\$690.00	
34" CORNER			\$515.00	\$590.00	\$715.00	

Add \$60.00 per showcase for LED lighting \$ _____

SUBTOTAL \$ _____

8.875% SALES TAX \$ _____

AMOUNT ENCLOSED \$ _____

COMPANY NAME _____

BOOTH NUMBER _____



ORDERS AND BOOTH LAYOUT DUE BY FEBRUARY 14, 2025

American Fixture & Display Corp.

Phone: (718) 463-2176 • Fax: (718) 463-4302

Email: orders@americanfixture.com • Web: americanfixture.com

Please complete company name, credit card information and booth layout located on the final pages. This is required to process your order.

Please note: Telephone orders not accepted.

CASES ARE RENTED FOR DISPLAY PURPOSES ONLY AND WE DO NOT WARRANT THE SAFETY OR SECURITY THEREOF. WE ARE NOT LIABLE FOR CONTENTS, DAMAGE OR BREAKAGE AFTER CASES HAVE BEEN DELIVERED.

Standard White Line



STANDARD WHITE FEATURES:

- Fluorescent lighting
- LED lighting available for an additional \$85 per showcase
- Aluminum frame
- Matte white formica exterior
- Sliding doors with lock (no mirrors)
- Solid sides
- Rear storage area with lock in half and quarter vision cases
- Available in 4', 5' and 6' lengths and corner cases
- 38" high and 20" deep
- Showcases are available in full, half and quarter vision
- Corner cases are available in half and quarter vision only

SIZE	QUANTITY			ADVANCED PRICE	PRICE FOR ORDERS RECEIVED AFTER 02/14/2025	SHOW SITE PRICE	TOTAL
	FULL VISION	HALF VISION	QUARTER VISION				
4 FOOT				\$405.00	\$480.00	\$605.00	
5 FOOT				\$405.00	\$480.00	\$605.00	
6 FOOT				\$405.00	\$480.00	\$605.00	
34" CORNER	X			\$425.00	\$500.00	\$625.00	

Add \$85.00 per showcase for LED lighting \$ _____

SUBTOTAL \$ _____

8.875% SALES TAX \$ _____

AMOUNT ENCLOSED \$ _____

COMPANY NAME _____

BOOTH NUMBER _____

ONLINE ORDERING AVAILABLE
VISIT AMERICANFIXTURE.COM

ORDERS AND BOOTH LAYOUT DUE BY FEBRUARY 14, 2025

American Fixture & Display Corp.

Phone: (718) 463-2176 • Fax: (718) 463-4302

Email: orders@americanfixture.com • Web: americanfixture.com

Please complete company name, credit card information and booth layout located on the final pages. This is required to process your order.

Please note: Telephone orders not accepted.

CASES ARE RENTED FOR DISPLAY PURPOSES ONLY AND WE DO NOT WARRANT THE SAFETY OR SECURITY THEREOF. WE ARE NOT LIABLE FOR CONTENTS, DAMAGE OR BREAKAGE AFTER CASES HAVE BEEN DELIVERED.

Accent Cube



ALUMINUM FRAME SHOWN HERE

**ALUMINUM
FRAME
FEATURES:**

- Aluminum frame
- Standard matte white or textured designer gray formica exterior
- 3 fixed 50 watt lights
- LED lighting available for an additional \$45
- 18" wide x 18" deep x 70" high
- 18" wide x 18" deep x 18" high glass display area
- Hinged frameless glass door with lock
- Storage area with lock

**BRUSHED GOLD
FRAME FEATURES:**

- Brushed gold frame
- White exterior
- 4 MR16 lights in pivoting fixtures
- LED lighting available for an additional \$45
- 18" wide x 18" deep x 70" high
- 18" wide x 18" deep x 18" high glass display area
- Hinged frameless glass door with lock
- Storage area with lock

STYLE	QUANTITY	PRICE	PRICE FOR ORDERS RECEIVED AFTER 02/14/2025	SHOW SITE PRICE	TOTAL
Aluminum Frame with White Exterior		\$430.00	\$505.00	\$630.00	
Aluminum Frame with Designer Gray Exterior		\$430.00	\$505.00	\$630.00	
Brushed Gold Frame with White Exterior		\$430.00	\$505.00	\$630.00	

Add \$45.00 per accent cube for LED lighting \$ _____

SUBTOTAL \$ _____

8.875% SALES TAX \$ _____

AMOUNT ENCLOSED \$ _____

COMPANY NAME _____

BOOTH NUMBER _____



ORDERS AND BOOTH LAYOUT DUE BY FEBRUARY 14, 2025

American Fixture & Display Corp.

Phone: (718) 463-2176 • Fax: (718) 463-4302

Email: orders@americanfixture.com • Web: americanfixture.com

Please complete company name, credit card information and booth layout located on the final pages. This is required to process your order.

Please note: Telephone orders not accepted.

CASES ARE RENTED FOR DISPLAY PURPOSES ONLY AND WE DO NOT WARRANT THE SAFETY OR SECURITY THEREOF. WE ARE NOT LIABLE FOR CONTENTS, DAMAGE OR BREAKAGE AFTER CASES HAVE BEEN DELIVERED.

Tower



ALUMINUM FRAME SHOWN HERE

CHOICES:

• **ALUMINUM FRAME**

White: Aluminum frame with standard matte white formica exterior

Designer: Aluminum frame with designer gray formica exterior

• **BRUSHED GOLD FRAME**

Brushed gold frame with white exterior

FEATURES:

- Halogen lighting
- LED lighting available for an additional \$45 per tower
- 6" canopy
- 3 adjustable glass shelves
- Clear glass on four sides
- Hinged framed door with lock
- 20" wide x 20" deep x 80" high
- 20" wide x 20" deep x 54" high glass display area

QUANTITY			ADVANCED PRICE	PRICE FOR ORDERS RECEIVED AFTER 02/14/2025	SHOW SITE PRICE	TOTAL
WHITE	DESIGNER	GOLD FRAME WITH WHITE				
			\$440.00	\$515.00	\$640.00	

Add \$45.00 per tower for LED lighting \$ _____

SUBTOTAL \$ _____

8.875% SALES TAX \$ _____

AMOUNT ENCLOSED \$ _____

COMPANY NAME _____

BOOTH NUMBER _____



ORDERS AND BOOTH LAYOUT DUE BY FEBRUARY 14, 2025

American Fixture & Display Corp.

Phone: (718) 463-2176 • Fax: (718) 463-4302

Email: orders@americanfixture.com • Web: americanfixture.com

Please complete company name, credit card information and booth layout located on the final pages. This is required to process your order.

Please note: Telephone orders not accepted.

CASES ARE RENTED FOR DISPLAY PURPOSES ONLY AND WE DO NOT WARRANT THE SAFETY OR SECURITY THEREOF. WE ARE NOT LIABLE FOR CONTENTS, DAMAGE OR BREAKAGE AFTER CASES HAVE BEEN DELIVERED.

Museum Pedestal



ALUMINUM FRAME SHOWN HERE

CHOICES:

• **ALUMINUM FRAME**

Aluminum frame with standard matte white formica exterior

• **BRUSHED GOLD FRAME**

Brushed gold frame with white exterior

FEATURES:

- Halogen lighting (six bulbs)
- LED lighting available for an additional \$60 per museum pedestal
- 8" canopy
- Glass doors with lock
- Storage area with lock
- 30" wide x 20" deep x 70" high
- 30" wide x 20" deep x 20" high glass display area

STYLE	QUANTITY	PRICE	PRICE FOR ORDERS RECEIVED AFTER 02/14/2025	SHOW SITE PRICE	TOTAL
Aluminum Frame		\$495.00	\$570.00	\$695.00	
Brushed Gold Frame		\$495.00	\$570.00	\$695.00	

Add \$60.00 per museum pedestal for LED lighting \$ _____

SUBTOTAL \$ _____

8.875% SALES TAX \$ _____

AMOUNT ENCLOSED \$ _____

COMPANY NAME _____

BOOTH NUMBER _____



ORDERS AND BOOTH LAYOUT DUE BY JANUARY 29, 2024

American Fixture & Display Corp.

Phone: (718) 463-2176 • Fax: (718) 463-4302

Email: orders@americanfixture.com • Web: americanfixture.com

Please complete company name, credit card information and booth layout located on the final pages. This is required to process your order.

Please note: Telephone orders not accepted.

CASES ARE RENTED FOR DISPLAY PURPOSES ONLY AND WE DO NOT WARRANT THE SAFETY OR SECURITY THEREOF. WE ARE NOT LIABLE FOR CONTENTS, DAMAGE OR BREAKAGE AFTER CASES HAVE BEEN DELIVERED.

Boutique Case



ALUMINUM FRAME SHOWN HERE

CHOICES:

• **ALUMINUM FRAME**

Aluminum frame with textured designer gray formica exterior

• **BRUSHED GOLD FRAME**

Brushed gold frame with white exterior

FEATURES:

- Fluorescent lighting
- LED lighting available for an additional \$60 per boutique case
- 5" canopy
- Solid back or glass back
- 3 rows of adjustable glass shelves
- Glass doors with lock
- Storage area with lock
- 48" wide x 13" deep x 76" high
- 48" wide x 13" deep x 44" high glass display area

STYLE	QUANTITY		PRICE	PRICE FOR ORDERS RECEIVED AFTER 01/29/2024	SHOW SITE PRICE	TOTAL
	SOLID	GLASS				
Aluminum Frame			\$505.00	\$580.00	\$705.00	
Brushed Gold Frame			\$505.00	\$580.00	\$705.00	

Add \$60.00 per boutique case for LED lighting \$ _____

SUBTOTAL \$ _____

8.875% SALES TAX \$ _____

AMOUNT ENCLOSED \$ _____

COMPANY NAME _____

BOOTH NUMBER _____



ORDERS AND BOOTH LAYOUT DUE BY JANUARY 29, 2024

American Fixture & Display Corp.

Phone: (718) 463-2176 • Fax: (718) 463-4302

Email: orders@americanfixture.com • Web: americanfixture.com

Please complete company name, credit card information and booth layout located on the final pages. This is required to process your order.

Please note: Telephone orders not accepted.

CASES ARE RENTED FOR DISPLAY PURPOSES ONLY AND WE DO NOT WARRANT THE SAFETY OR SECURITY THEREOF. WE ARE NOT LIABLE FOR CONTENTS, DAMAGE OR BREAKAGE AFTER CASES HAVE BEEN DELIVERED.

Wall Case & See-Thru



WALL CASE

- White formica exterior
- Fluorescent lights
- LED top lighting available for an additional \$95 per wall case
- Available in 6' ft, 5' ft or 4ft lengths
- 18" deep x 84" high
- Glass sliding doors



SEE-THRU WALL CASE

- White formica exterior
- Fluorescent lights
- LED top lighting available for an additional \$95 per see-thru
- 70" wide x 19" deep x 80" high
- Glass sliding doors

STYLE	QUANTITY			PRICE	PRICE FOR ORDERS RECEIVED AFTER 01/29/2024	SHOW SITE PRICE	TOTAL
	4'	5'	6'				
WALL CASE				\$525.00	\$600.00	\$725.00	
SEE-THRU WALL CASE	<input type="checkbox"/>	<input type="checkbox"/>		\$550.00	\$625.00	\$750.00	

Add \$95.00 per case for LED lighting \$ _____

SUBTOTAL \$ _____

8.875% SALES TAX \$ _____

AMOUNT ENCLOSED \$ _____

COMPANY NAME _____

BOOTH NUMBER _____

ONLINE ORDERING AVAILABLE
VISIT AMERICANFIXTURE.COM

ORDERS AND BOOTH LAYOUT DUE BY JANUARY 29, 2024

American Fixture & Display Corp.

Phone: (718) 463-2176 • Fax: (718) 463-4302

Email: orders@americanfixture.com • Web: americanfixture.com

Please complete company name, credit card information and booth layout located on the final pages. This is required to process your order.

Please note: Telephone orders not accepted.

CASES ARE RENTED FOR DISPLAY PURPOSES ONLY AND WE DO NOT WARRANT THE SAFETY OR SECURITY THEREOF. WE ARE NOT LIABLE FOR CONTENTS, DAMAGE OR BREAKAGE AFTER CASES HAVE BEEN DELIVERED.

Classic Case Line



**SILVER V1
SHOWN HERE**



**SILVER V3
SHOWN HERE**



**SILVER V5
SHOWN HERE**



**SILVER V6
SHOWN HERE**



**SILVER TOV
SHOWN HERE**

TYPE	QUANTITY	PRICE* <small>FOR ORDERS PLACED BEFORE 01/29/2024</small>	LED LIGHTING				MR16 SIDE LIGHTS (\$50 PER CASE)		EXTRA SHELVES (\$10 PER CASE)	TOTAL	
			TOP ONLY \$45 PER CASE	TOP & SIDE LIGHTS \$130 PER CASE		GLASS SIDE	DOOR SIDE	GLASS SIDE			DOOR SIDE
				GLASS SIDE	DOOR SIDE						
V1		\$540.00									
V3		\$540.00									
V5		\$565.00									
V6		\$540.00									
TOV <small>(No Lights)</small>		\$540.00									

^^SEE NEXT PAGE FOR MORE DETAILS^^

***\$75 per case late fee applies for all orders placed after 01/29/2024**

SUBTOTAL \$ _____

*LATE FEE (if applicable) \$ _____

8.875% SALES TAX \$ _____

AMOUNT ENCLOSED \$ _____

COMPANY NAME _____

BOOTH NUMBER _____

**ONLINE ORDERING
AVAILABLE
VISIT AMERICANFIXTURE.COM**

ORDERS AND BOOTH LAYOUT DUE BY JANUARY 29, 2024

American Fixture & Display Corp.

Phone: (718) 463-2176 • Fax: (718) 463-4302

Email: orders@americanfixture.com • Web: americanfixture.com

Please complete company name, credit card information and booth layout located on the final pages. This is required to process your order.

Please note: Telephone orders not accepted.

CASES ARE RENTED FOR DISPLAY PURPOSES ONLY AND WE DO NOT WARRANT THE SAFETY OR SECURITY THEREOF. WE ARE NOT LIABLE FOR CONTENTS, DAMAGE OR BREAKAGE AFTER CASES HAVE BEEN DELIVERED.

COMPANY NAME: _____ BOOTH #: _____

V1

(interior height 65")

(pre-set to 17")
 Change to _____ " {

(pre-set to 16")
 Change to _____ " {

(pre-set to 16")
 Change to _____ " {

(pre-set to 16")
 Change to _____ " {



V3

(interior height 52")

(pre-set to 16 1/2")
 Change to _____ " {

(pre-set to 17 1/2")
 Change to _____ " {

(pre-set to 18")
 Change to _____ " {



V5

(interior height 67")

(pre-set to 16 3/4")
 Change to _____ " {

(pre-set to 16 3/4")
 Change to _____ " {

(pre-set to 16 3/4")
 Change to _____ " {

(pre-set to 16 3/4")
 Change to _____ " {



V6

(interior height 67")

(pre-set to 17")
 Change to _____ " {

(pre-set to 16 1/2")
 Change to _____ " {

(pre-set to 16 1/2")
 Change to _____ " {

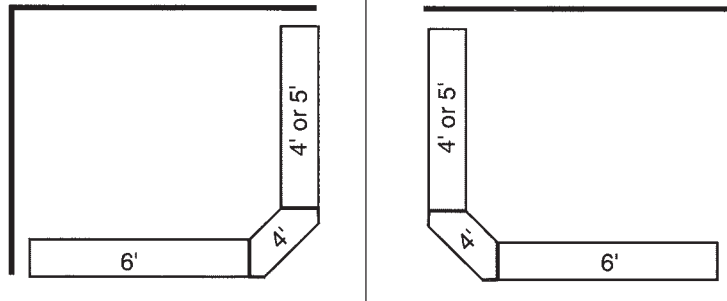
(pre-set to 17")
 Change to _____ " {



- Each of the glass shelves on the Classic Cases is adjustable. The shelf rests are **preset** at our warehouse at the approximate intervals shown above.
- If you would like us to alter the spacing of your shelves, please indicate your requirements above and submit this form along with your order **no later than ten (10) days prior to the start of the show.**
- Please understand that due to time constraints during show set up, we are unable to make changes on-site.

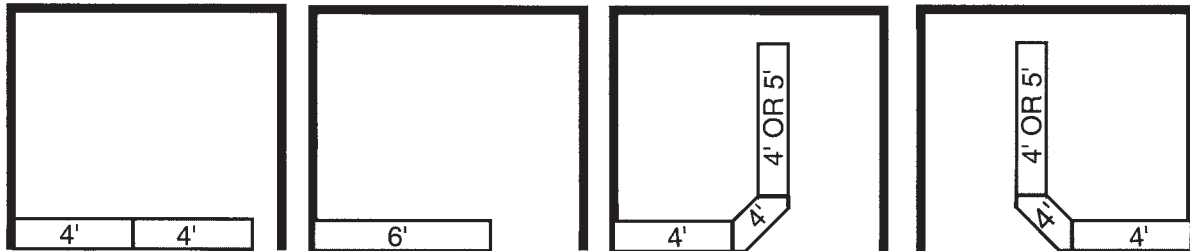
Sample Layouts

10 FOOT X 10 FOOT CORNER BOOTHS

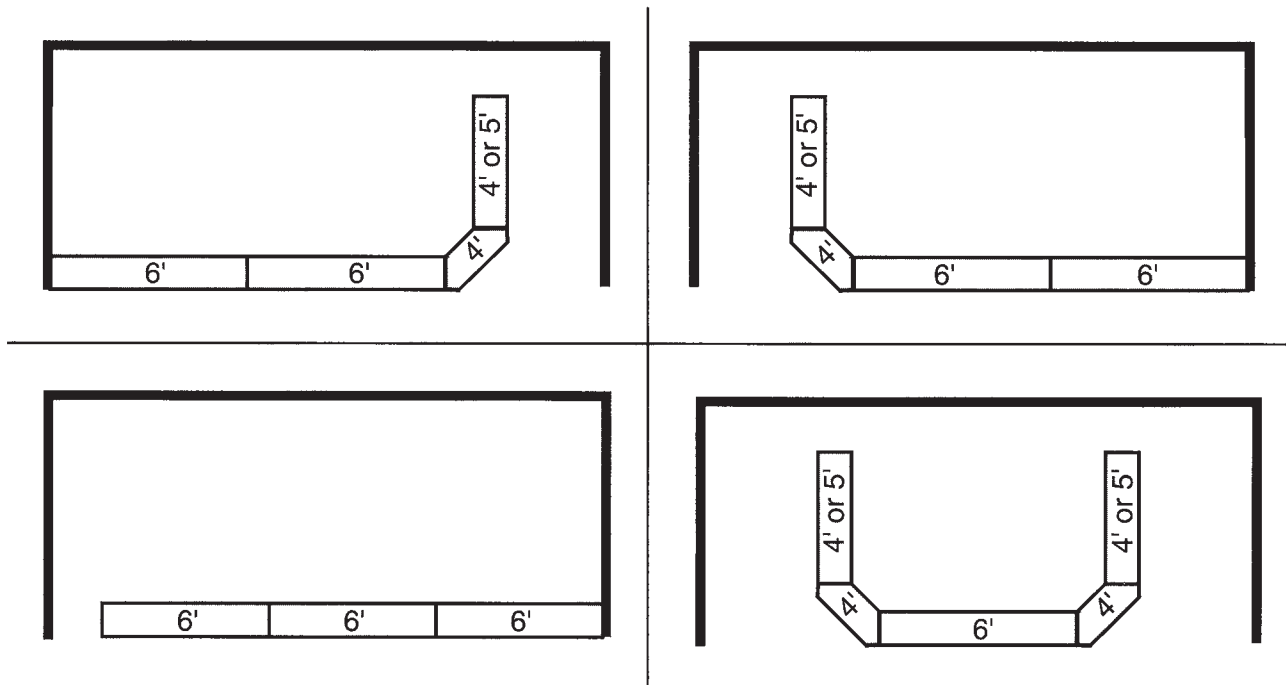


***Please Note:**
If you place your order on our online portal, you can draft your layout using our interactive layout feature.*

10 FOOT X 10 FOOT SINGLE BOOTHS



10 FOOT X 20 FOOT DOUBLE BOOTHS



Please complete company name, credit card information and booth layout located on the final pages. This is required to process your order.



FULL VISION SHOWCASE



HALF VISION SHOWCASE



QUARTER VISION SHOWCASE



CORNER SHOWCASE

Please complete company name, credit card information and booth layout located on the final pages. This is required to process your order.

Please note: Telephone orders not accepted.

CASES ARE RENTED FOR DISPLAY PURPOSES ONLY AND WE DO NOT WARRANT THE SAFETY OR SECURITY THEREOF. WE ARE NOT LIABLE FOR CONTENTS, DAMAGE OR BREAKAGE AFTER CASES HAVE BEEN DELIVERED.

ELECTRICAL INFORMATION NON-LED LIGHTING

Standard Case – White (Fluorescent)

4'	25 Watts
5'	30 Watts
6'	40 Watts
34" Corner	20 Watts

Designer & Deluxe Case (Fluorescent)

4'	25 Watts
5'	30 Watts
6'	40 Watts
34" Corner	20 Watts
42" Corner (Designer Line only)	30 Watts

Designer (Halogen)

4'	100 Watts
5'	120 Watts
6'	140 Watts
34" Corner	80 Watts
42" Corner	100 Watts

Tower (Halogen)

200 Watts

Museum Pedestal (Halogen)

300 Watts

Accent Cube (Halogen)

White & Designer	150 Watts
Deluxe & Elite	140 Watts

Boutique Case (Fluorescent)

84 Watts

Wall Case & See-Thru Wall Case (Fluorescent)

4'	60 Watts
5'	80 Watts
6'	80 Watts
	80 Watts

Classic Case – Silver & Brown (Halogen & Spotlight)

V1, V3, V5	200 Watts
V6	150 Watts

Standard Case – White

4'	33 Watts
5'	42 Watts
6'	49 Watts
34" Corner	26 Watts

Deluxe & Designer Case

4'	42 Watts
5'	48 Watts
6'	54 Watts
34" Corner	36 Watts
42" Corner (Designer Line only)	42 Watts

Ultra Case – 6000K

4'	42 Watts
5'	48 Watts
6'	54 Watts
34" Corner	36 Watts
48" Corner	90 Watts

Ultra Case – 3000K

4'	12 Watts
5'	15 Watts
6'	17 Watts
34" Corner	9 Watts
48" Corner	16 Watts

Classic Case

V1, V3, V5	28 Watts
V6	21 Watts

Tower 100 Watts

Museum Pedestal 36 Watts

Accent Cube 24 Watts

Boutique Case 84 Watts

Wall Case

4'	76 Watts
5'	93 Watts
6'	105 Watts

See Thru Wall Case 105 Watts

AMERICAN FIXTURE & DISPLAY

THE SHOWCASE PEOPLE

BOOTH LAYOUT DIAGRAM

PLEASE INDICATE YOUR BOOTH DIMENSIONS AND THE MANNER IN WHICH YOU WOULD LIKE THE SHOWCASES PLACED IN YOUR BOOTH(S). **THIS COMPLETED LAYOUT IS REQUIRED TO CONFIRM YOUR ORDER.**

Back of Booth																		LENGTH	_____	feet
																		WIDTH _____ feet		
Front of Booth																				

***Please Note:** If you place your order on our online portal, you can draft your layout using our interactive layout feature.*

EXHIBITOR NAME: _____

BOOTH NO: _____ BOOTH DIMENSIONS (LENGTH x WIDTH) _____ FEET

ORDERS AND BOOTH LAYOUT DUE BY JANUARY 29, 2024

Return Copy to: **American Fixture & Display Corp.**
 Phone: (718) 463-2176 • Fax: (718) 463-4302
 Email: orders@americanfixture.com • Web: americanfixture.com

Booth Layout above required in order to process your order.

CASES ARE RENTED FOR DISPLAY PURPOSES ONLY AND WE DO NOT WARRANT THE SAFETY OR SECURITY THEREOF. WE ARE NOT LIABLE FOR CONTENTS, DAMAGE OR BREAKAGE AFTER CASES HAVE BEEN DELIVERED.

SHOWCASE ORDER FORM

Please complete the following information and submit it along with your showcase selections and booth layout diagram (previous page).

CONTACT INFORMATION

COMPANY NAME: _____

ADDRESS: _____

CITY, STATE, ZIP CODE: _____

POINT OF CONTACT NAME: _____

EMAIL ADDRESS: _____

PHONE: _____ FAX: _____

BOOTH NO(S): _____

PAYMENT INFORMATION

DISCOVER / AMEX / VISA / MC #: _____ EXP DATE: _____

NAME ON CARD: _____ SEC CODE: _____

SIGNATURE: _____ DATE: _____

TERMS AND CONDITIONS OF RENTAL

American Fixture & Display Corp. and AFD Delaware, Inc. (together, the "Company") shall not be liable for failure to deliver the displays ("Company's Rental Property") or delays occasioned by causes beyond its control, including, but not limited to, strikes, lockouts, fires, flood, hurricane, war, acts of God, acts of terrorism, labor disputes, pandemics, epidemics, viruses, or delays or interruption of carriers and in no event shall be liable for consequential damages.

The Company shall have the right to charge the full rental price of the Company's Rental Property to the customer ("Lessee") on any orders (i) cancelled after the deadline date; or (ii) that have been delivered to the location of the rental, regardless of whether the event takes place.

Glass shelves must be properly installed by Lessee and not overloaded with merchandise. To avoid breaking of shelves, personal injury and damage to merchandise, the Lessee must use reasonable discretion in the amount of weight placed on the glass shelves. Installation and loading of the glass shelves is beyond the Company's control and the Company shall not be responsible for broken glass, damage of merchandise or personal injury related thereto.

In the event of any damage to the Company Rental Property during the rental period, -excluding normal wear and tear, the Lessee shall pay to Company, on demand, the full cost of repair or replacement of such damaged display cases. Lessee further agrees to accept full responsibility and liability, and Lessee shall indemnify, defend and hold harmless Company, for any injury to Lessee, for any damage to the property of Lessee, for any injury to any other person(s), for any damage to the property of any other person(s) and any other loss that may result through the use or misuse of the Company's Rental Property. Lessee agrees and acknowledges that Lessee is subject to additional charges if Lessee fails to return the Company's Rental Property to Company or fails to make the Company's Rental Property available to Company for pick-up at the time and date mutually agreed to by both parties.

Lessee agrees to accept full responsibility and liability, and shall indemnify, defend and hold harmless Company and its agents, employees, officers or directors from and against any and all liability, claims, demands (whether or not groundless, false, or fraudulent), costs, damages, losses, judgments, or awards, including legal and attorney fees, brought by a third party or parties and arising out of or in any way connected with any act or omission of Lessee or its employees or other persons.

The Company's Rental Property are rented for display purposes only and Company does not warrant the safety or security thereof. Company shall not be liable for contents, damage or breakage after the Company's Rental Property have been delivered.